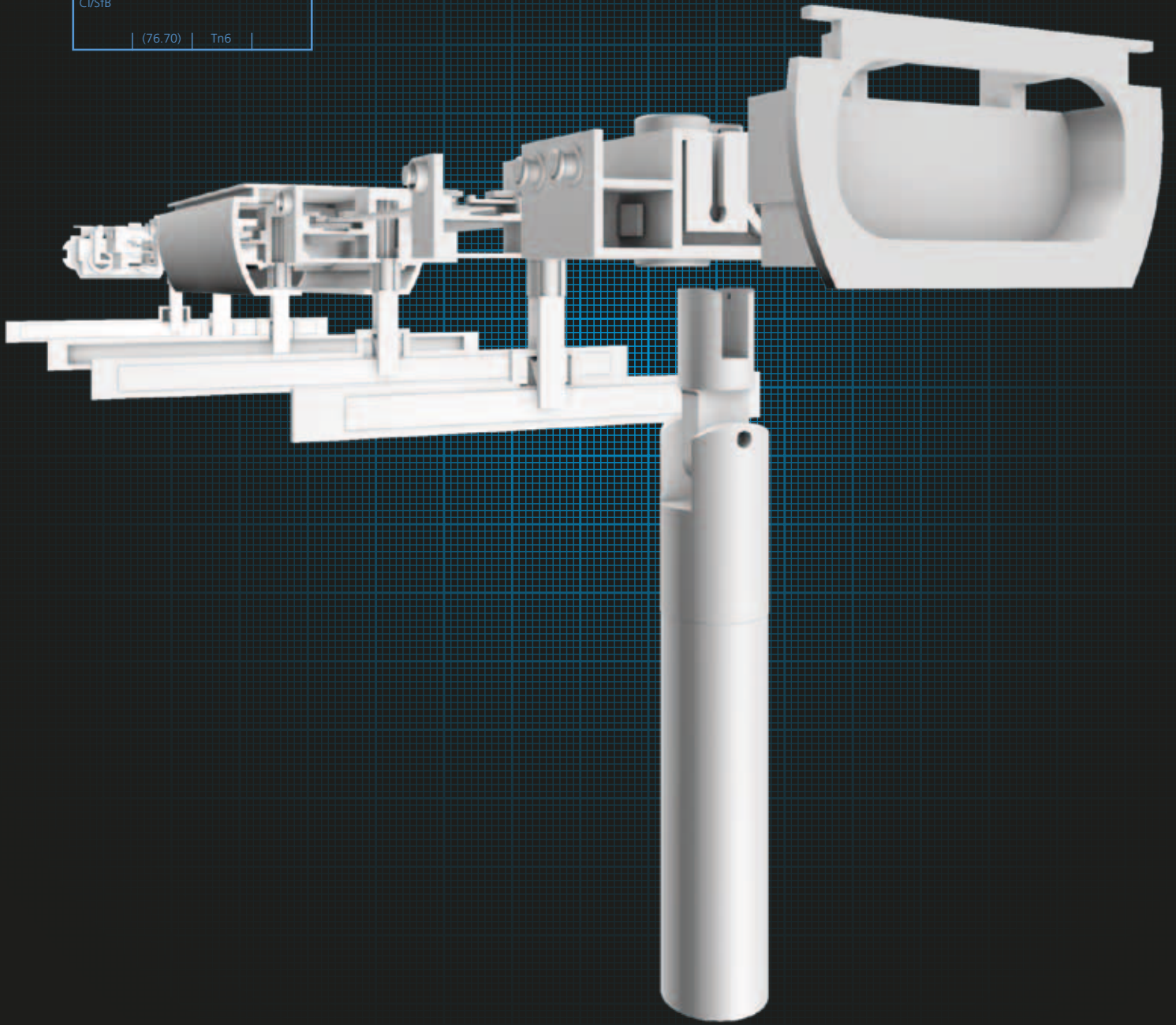


Uniclass	EPIC		
CI/SfB	(76.70)	Tn6	



TrakOne™

VERTICAL SYSTEM

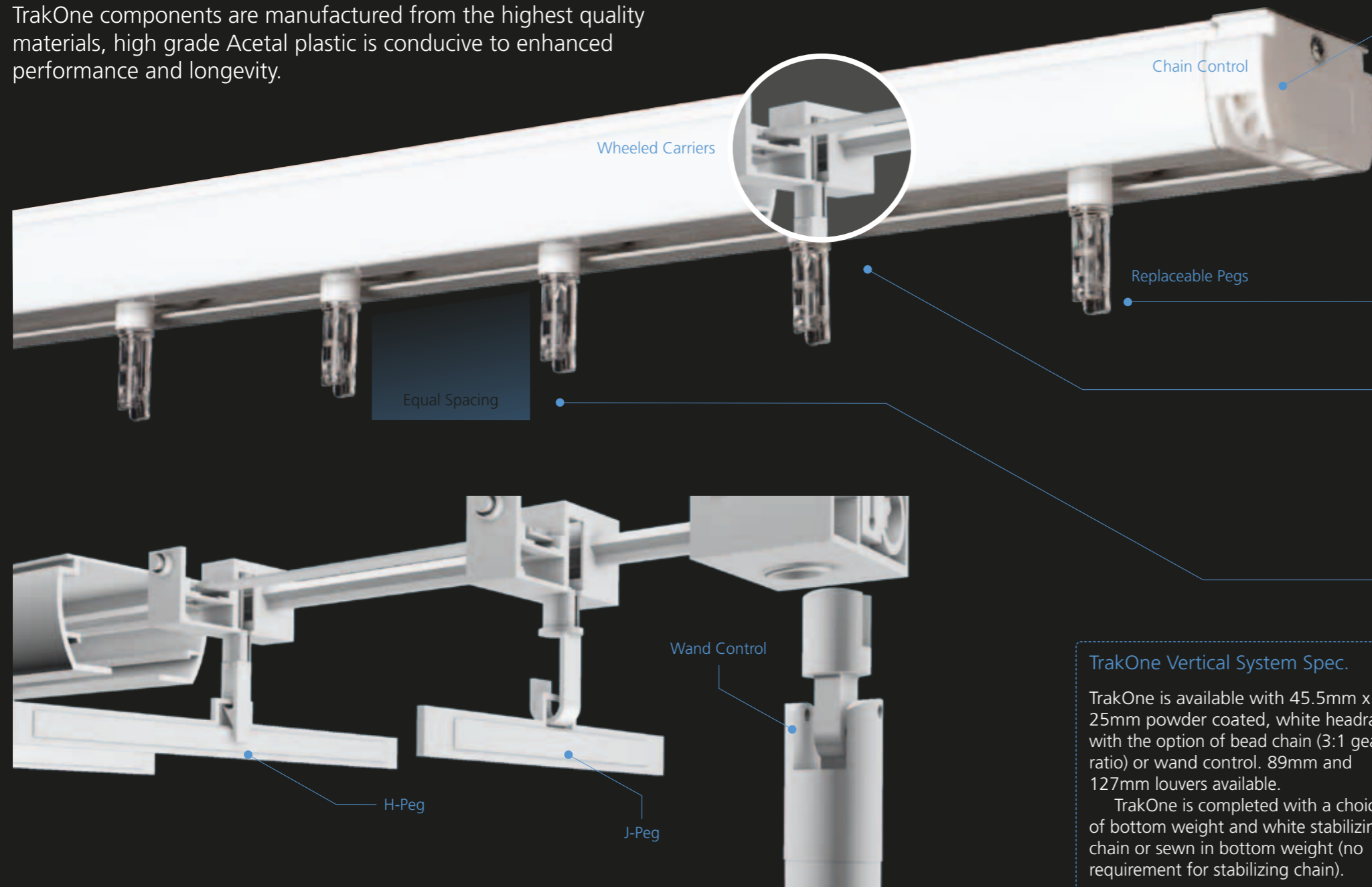
PRECISION ENGINEERED

PRECISION ENGINEERED

Style and design have been fundamental from conception with the TrakOne vertical system. Technology, insight and knowledge have been used to innovate, refine and push the boundaries of a quality vertical system.

Dynamic engineering and design reflects this quality vertical system that creates a lasting impression. Smooth contours, low elongated body and high grade plastics are instrumental for the creation of the perfect headrail profile.

TrakOne components are manufactured from the highest quality materials, high grade Acetal plastic is conducive to enhanced performance and longevity.



Headrail

A wide bodied, low profile headrail designed to be elegant and unobtrusive, yet robust enough to facilitate large widths and drops.

Features:

- Manufactured from Aluminium
- Profile: 45.5mm wide x 25mm height
- Available in white

Operating Controls

A choice of operating controls available:

Chain Control: Reduction gearbox enabling precise vane control with a 3:1 ratio.

Features:

- Nickel and white no.10 chain available.

Wand Control: Offers improved efficiencies, with enhanced assembly speed. When used in conjunction with chainless bottom weights, the TrakOne system becomes the ultimate child safe blind.

Features:

- White PVC wand available
- Wand diameter 9.5mm
- For use with double way tilter (master carrier)

Replaceable Pegs

Facilitates ease of manufacturing - replace vanes without removing the headrail from the recess.

Features:

- Available as white carrier with clear peg
- Available 89mm or 127mm
- J Pegs: For use with fabric vanes
- H Pegs: For use with Rigid PVC vanes

Wheeled Carriers

Facilitates effortless operation.

Features:

- Self aligning runners
- Manufactured from Acetal plastic
- Produced with plastic links

Equal Spacing

Ensures equal overlay of vanes covering the entire headrail.

- 89mm Spacer links - 73mm, 76mm and 79mm
- 127mm Spacer links - 110mm, 113mm and 115mm

Chainless Bottom Weights

Bottom weight sewn into bottom pocket. When used with wand control offers the ultimate child safe blind.

TrakOne Vertical System Spec.

TrakOne is available with 45.5mm x 25mm powder coated, white headrail with the option of bead chain (3:1 gear ratio) or wand control. 89mm and 127mm louvers available.

TrakOne is completed with a choice of bottom weight and white stabilizing chain or sewn in bottom weight (no requirement for stabilizing chain).



