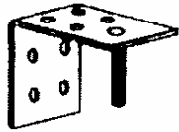


# Sunweave™ Fitting Instructions

Thank you for purchasing a Sunweave™ blind. Before you begin to install your new blind, please ensure that all parts listed below have been supplied.

## Parts List :



2 x Brackets  
(4 for blind width  
105 cm or over)



2 x Washers  
(4 for blind width  
105 cm or over)



2 x Wing Nuts  
(4 for blind width  
105 cm or over)



8 x Bracket  
Screws  
(16 for blind width  
105 cm or over)



2 x Cord Cleat  
Screws



1 x Cord Cleat



8 x Plastic  
Wall Anchors  
(16 for blind width  
105 cm or over)

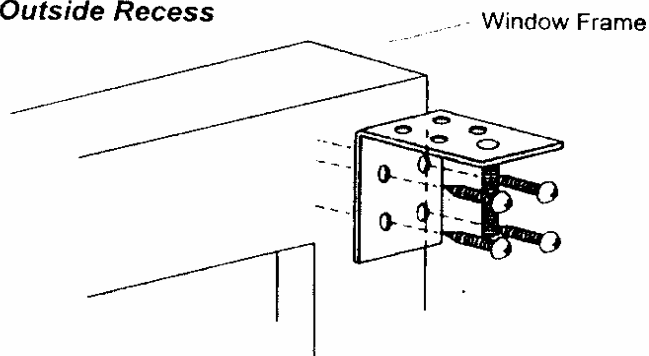
(This is attached to  
the bolt on the bracket)

(This is attached to  
the bolt on the bracket)

Care Instructions : To maintain the beauty of your blind, dust using a soft clean cloth or soft brush.

## INSTALLATION :

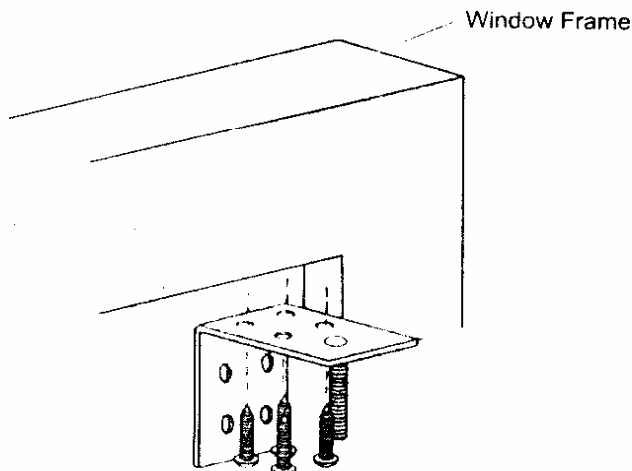
### Outside Recess



### STEP ONE : Positioning the blind

- The blind can be positioned either inside the window frame (Inside recess) or outside the window frame (Outside recess).
- Hold the blind up to the window exactly as you want it after installation, ensuring the blind is centered and level.
- Mark the exact position on the mounting surface using a pencil about 25 mm in from each end of the headrail.

### Inside Recess

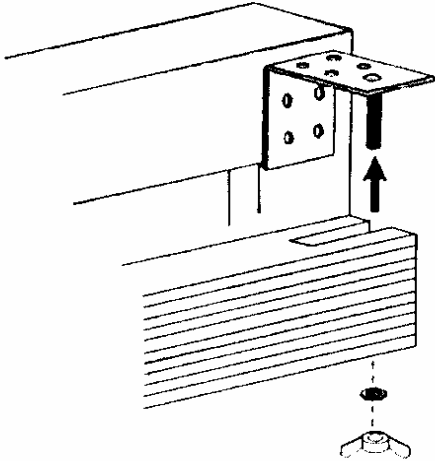


### STEP TWO : Installing the Brackets

- Place the first bracket on the pencil mark and mark the four drill holes.
- After drilling the holes, secure the bracket with the screws.

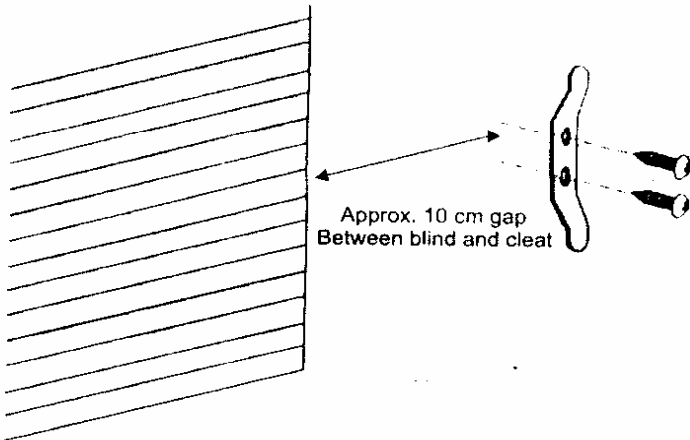
**OUTSIDE RECESS :** Brackets should be positioned on the outside of the window recess using the back holes of the bracket.

**INSIDE RECESS :** Brackets should be positioned on the inside of the recess using the top holes of the bracket.



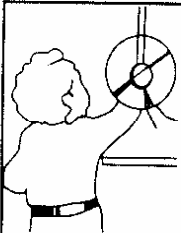
### STEP THREE : Attaching Headrail to Brackets

- Remove Wing Nuts and Washers from the bolts on the bracket.
- Align slits of headrail with bolts on the bracket and slide headrail up.
- Secure blind to the bracket using the washers and wing nuts.



### STEP FOUR : Installing Cord Cleat

Position the cord cleat about 10 cm out from the right hand side of your Sunweave™ blind and around half way up the height of the blind. Mark position through the holes and secure the cord cleat with the cord cleat screws.



## **WARNING!**

To avoid the risk of strangulation, it is advisable to keep all pull cords out of the reach of children. Safety measures include :  
 Installation of safety devices such as clamps and cleats that reduces the accessibility of the cord.  
 Move cots and furniture away from the window to avoid accessibility to the cord.